



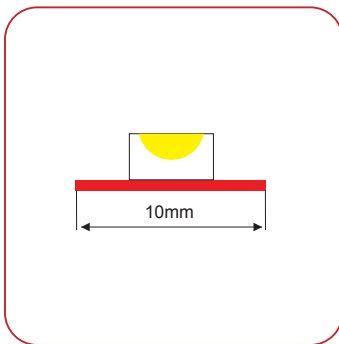
Features

- 4 Oz PCB
- CRI 90 LEDs
- 3 Year Warranty
- > 3% Optical Decay
- Energy Efficient

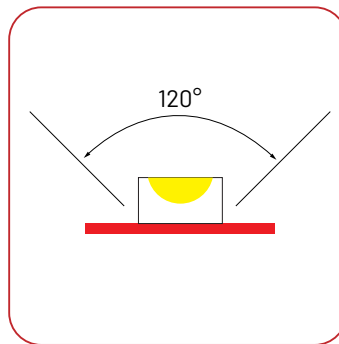
Applications

- Linear lighting
- Cove lighting
- Decorative lighting
- TV, Stage, Productions
- Restaurant, Bar, Club

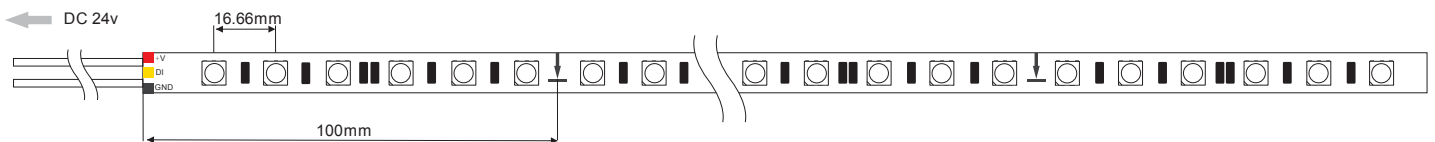
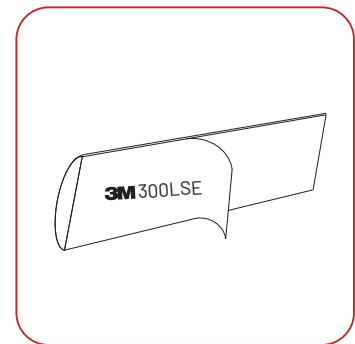
Dimensions



Beam Angle



Double Sided Tape



VOLTAGE	24v
POWER CONSUMPTION	14.4w/pm
LUMEN OUTPUT	1100lm/pm
LED QUANTITY	60LED/pm
WIDTH	10mm
IC CHIP	LC8806

MAX LENGTH	10M (DOUBLE FEED)
LIFE SPAN	30,000 HRS
OPERATING TEMP	-20°C~+45°C
IP RATING	IP20
WARRANTY	3 Years

ORDERING INFORMATION

ITEM CODE	FLXST-058
COLOUR	RGB