



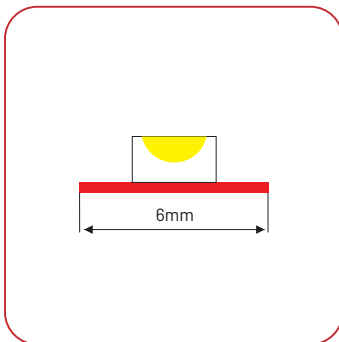
Features

- 4 Oz PCB
- CRI 80 LEDs
- 3 Year Warranty
- > 3% Optical Decay
- Energy Efficient

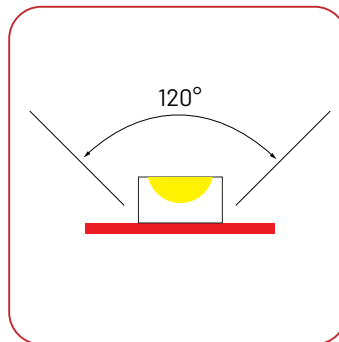
Applications

- Curved lighting
- Backlighting
- Lightboxes
- Signage & 3D Lettering
- All types of Joinery

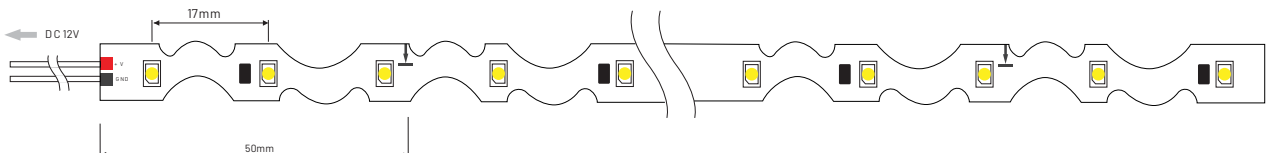
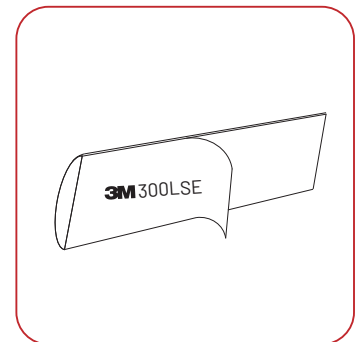
Dimensions



Beam Angle



Double Sided Tape



VOLTAGE	12v
POWER CONSUMPTION	8w/pm
LUMEN OUTPUT	800lm/pm
LED QUANTITY	60LED/pm
WIDTH	6mm

MAX LENGTH	5M
LIFE SPAN	50,000 HRS
OPERATING TEMP	-20°C~+45°C
IP RATING	IP20 or IP65
WARRANTY	3 Years

ORDERING INFORMATION

ITEM CODE	FLXST-041	FLXST-042
VOLTAGE	12V	12V
COLOUR	3000K	5500K
IP RATING	IP20	IP20