



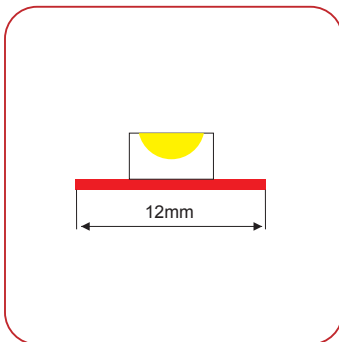
Features

- 4 Oz PCB
- CRI 80 LEDs
- 3 Year Warranty
- > 3% Optical Decay
- Energy Efficient

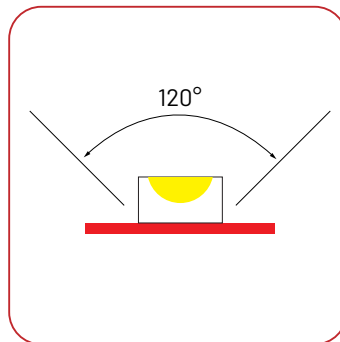
Applications

- Linear lighting
- Cove lighting
- Decorative lighting
- Bulk Heads
- Joinery Lighting

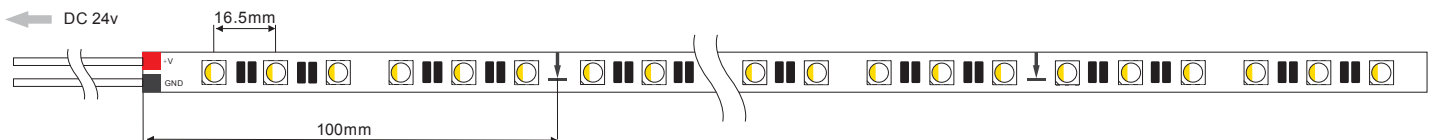
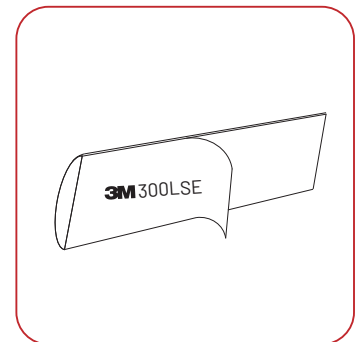
Dimensions



Beam Angle



Double Sided Tape



ITEM CODE	FLXST-012
VOLTAGE	24v
COLOUR	RGBW (3000K)
POWER CONSUMPTION	19.2w/pm
LUMEN OUTPUT	1300lm/pm
LED QUANTITY	60LED/pm
WIDTH	12mm

MAX LENGTH	10M (SINGLE FEED)
LIFE SPAN	50,000 HRS
OPERATING TEMP	-20°C~+45°C
IP RATING	IP20
WARRANTY	3 Years