



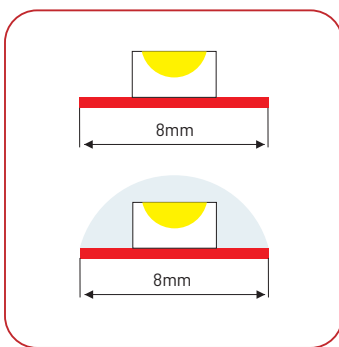
## Features

- 4 Oz PCB
- CRI 80 LEDs
- 3 Year Warranty
- > 3% Optical Decay
- Energy Efficient

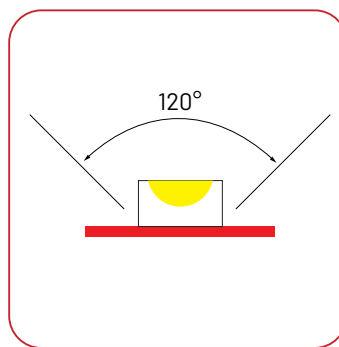
## Applications

- Linear lighting
- Cove lighting
- Wayfinding
- Custom Applications
- All types of Joinery

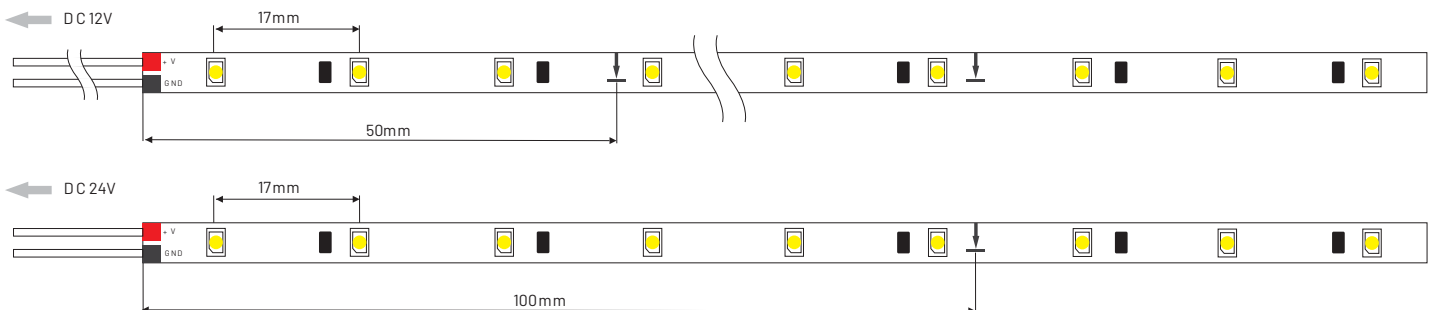
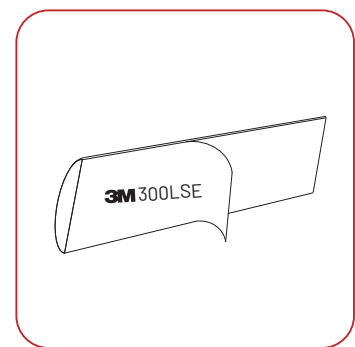
### Dimensions



### Beam Angle



### Double Sided Tape



<b>VOLTAGE</b>	12 or 24v
<b>POWER CONSUMPTION</b>	10w/pm
<b>LUMEN OUTPUT</b>	840lm/pm
<b>LED QUANTITY</b>	60LED/pm
<b>WIDTH</b>	8mm

<b>MAX LENGTH</b>	10M (SINGLE FEED)
<b>LIFE SPAN</b>	50,000 HRS
<b>OPERATING TEMP</b>	-20°C~+45°C
<b>IP RATING</b>	IP20 or IP65
<b>WARRANTY</b>	3 Years

### ORDERING INFORMATION

ITEM CODE	FLXST-046	FLXST-047	FLXST-048	FLXST-051	FLXST-052	FLXST-053
<b>VOLTAGE</b>	24V	24V	24V	12V	12V	12V
<b>COLOUR</b>	3000K	4000K	6000K	3000K	3000K	6500K
<b>IP RATING</b>	IP20	IP20	IP20	IP20	IP65	IP65