





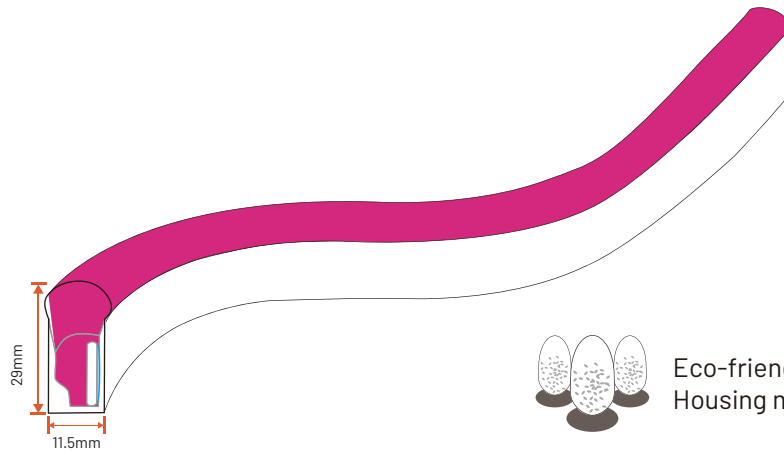


-  Gross weight:  
0.52kg/m
-  Dimmable:  
DALI, PWM, DMX
-  Installation Temp.:  
0°C to +55°C
-  Ambient Temp.:  
-25°C to +55°C
-  Min. Bending :  
120mm
-  Beam Angle :  
270 degree







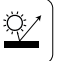







## Features

- Uniform and even light output
- Dome surface with 270 degree beam angle
- 60 LEDs 24vDC
- Dimmable with Dali, DMX, PWM
- Full encapsulated with IP68 Connections
- High Reliability
- 3 or 5 Years warranty

## Applications

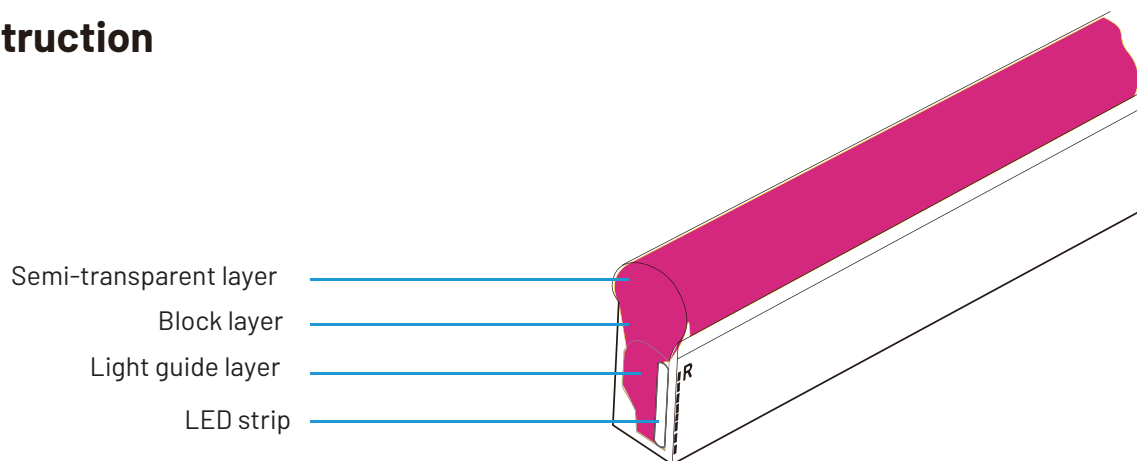
- Building facade, outline
- Cove lighting
- Architectural Integration
- Wayfinding
- Swimming Pools & Landscaping
- Decorative lighting
- Billboard & Advertising



-  Class 2
-  One Bin Only
-  IP68
-  LM-80
-  UV Protected
-  Corrosion Resistant
-  CE
-  UL LISTED
-  RoHS
-  IK08
-  Dirt Resistant
-  Saltwater Resistant

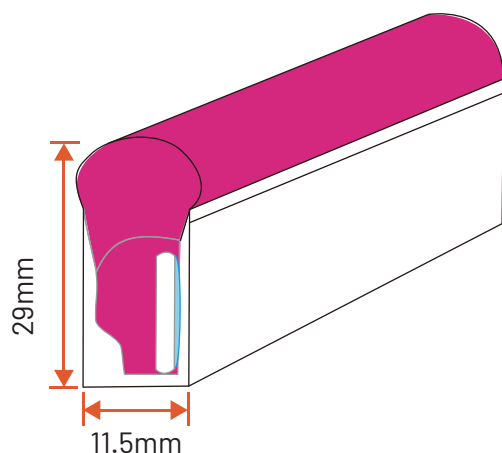
<b>ITEM CODE</b>	F21RGB	<b>MAX LENGTH</b>	10M (SINGLE FEED) 20M (DOUBLE FEED)
<b>VOLTAGE</b>	24V	<b>LIFE SPAN</b>	50 - 70,000 HRS
<b>POWER CONSUMPTION</b>	12W/PM	<b>HOUSING MATERIAL</b>	ECO PVC
<b>LED QUANTITY</b>	60LED/PM	<b>OPERATING TEMP</b>	-25 C to +55 C
<b>COLOUR</b>	RGB	<b>IP RATING</b>	IP68 SUBMERSIBLE UP TO 2M
<b>CUT UNIT</b>	100MM	<b>WARRANTY</b>	3 YEARS STANDARD, 5 YEAR OPTION
<b>BEAM ANGLE</b>	270 DEGREE		

## Construction

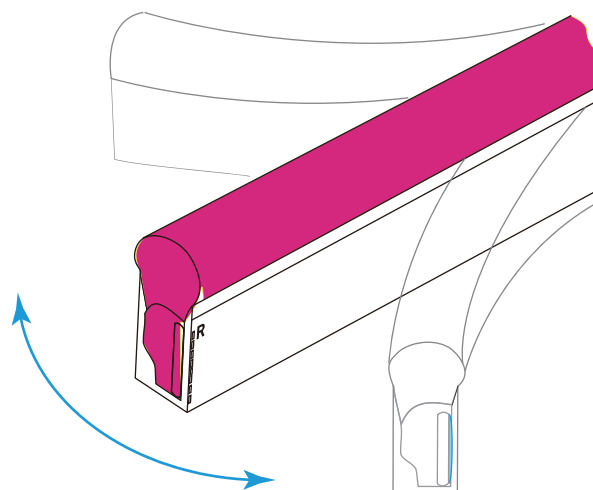


## Physical Specification

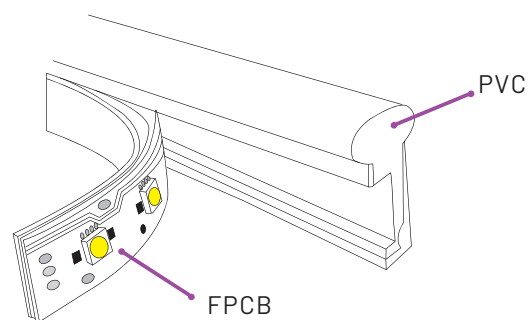
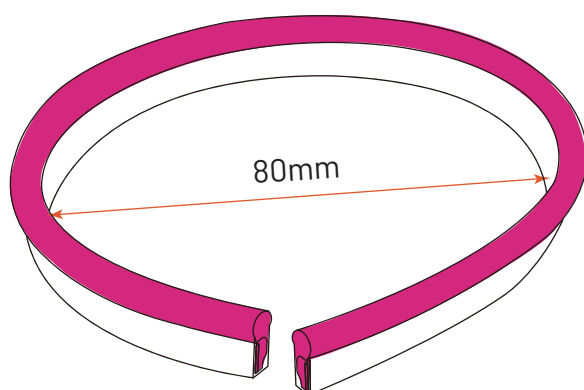
Light profile



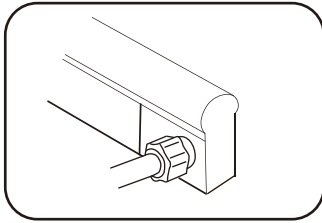
Bending direction



Min. bending diameter

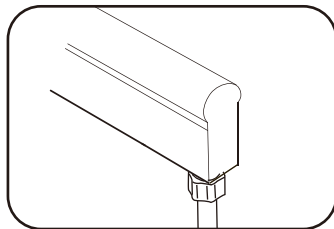
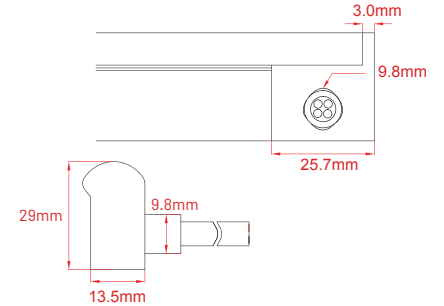
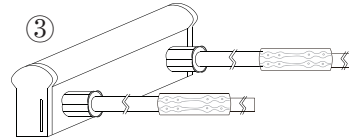
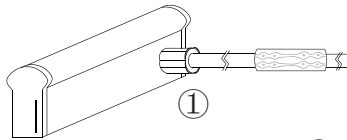
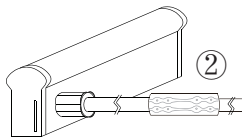


## Injection Moulded Connector (IP68 Factory Assembly Only)



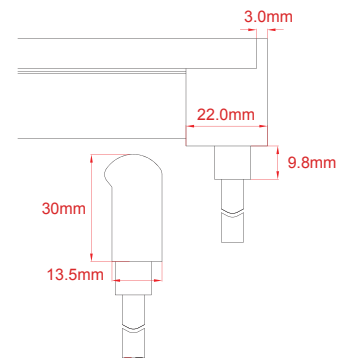
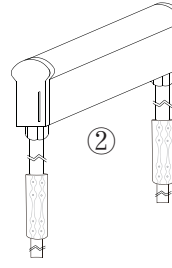
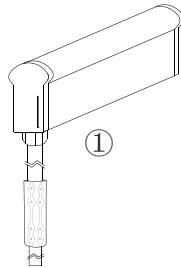
Side Entry

- ① F21A-M09
- ② F21A-M08
- ③ F21A-M10



Bottom Entry

- ① F21A-M06
- ② F21A-M07



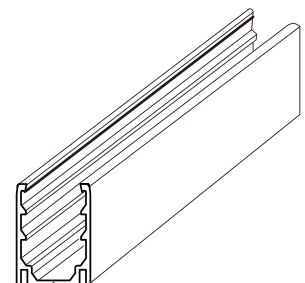
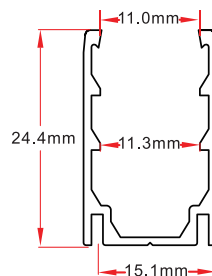
## Mounting Channel

FLXNF-026

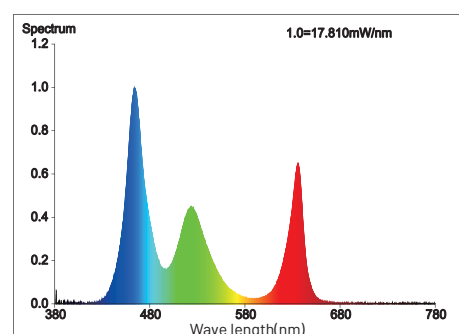
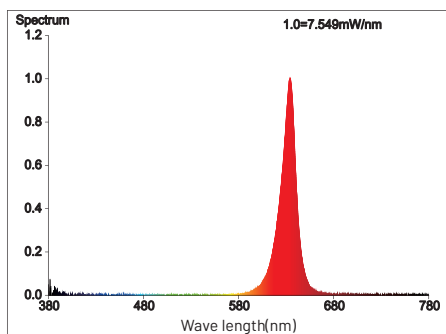
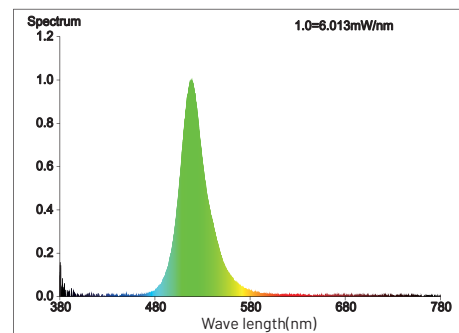
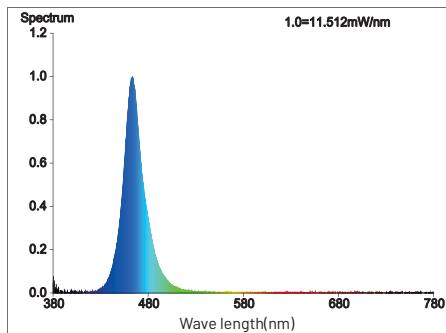
Use for : Architectural & Pixel Neon

Length : 2m

Material: White Aluminum alloy



## Testing



1. Please note that it is normal for the PVC material of LED Neon Flex to experience 20-30% yellowing when it is used in direct sunlight, has long term exposure to high temperatures or installed in a wet environment, within 3 years.

2. In Regard to the tolerance range of the optical parameters (luminance, CCT, Wattage, RA) for all LED Neon Flex products, there is a 10% fluctuation when referring to the IEC Standard.

3. Please note there is a tolerance range for cut lengths of LED Neon Flex. This is due to production technology, environmental parameters, ambient temperatures and installation methods. The tolerance ranges are:  
 0-5m = ± 7mm, 5-10m = ±15mm, 10-20m = ± 30mm.