





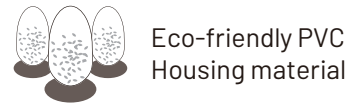
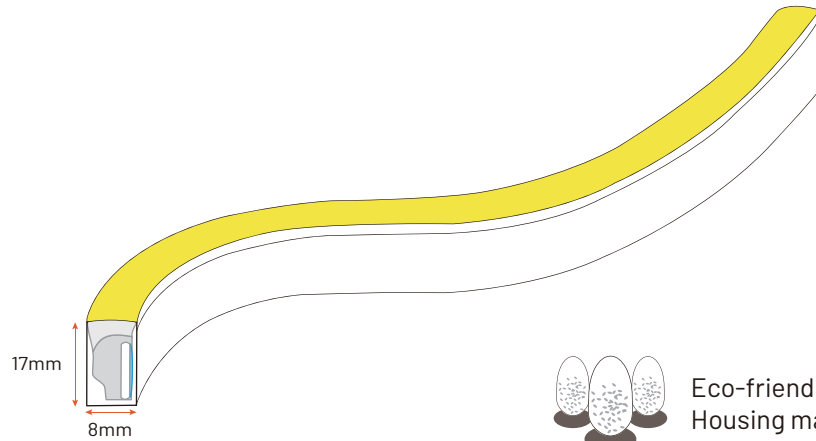


-  Gross weight:
0.165kg/m
-  Dimmable:
DALI, 0-10V, DMX, Triac
-  Installation Temp.:
0°C to +55°C
-  Ambient Temp.:
-25°C to +55°C
-  Min. Bending :
80mm
-  Beam Angle :
120 degree

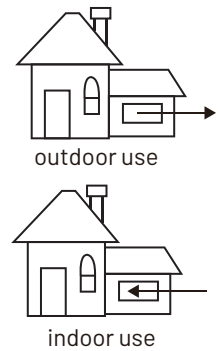














Features

- Uniform and even light output
- Flat surface with 120 degree beam angle
- Dimmable with Dali, 0/1-10, DMX,PWM
- High Lumen output, up to 130lm/m
- Full encapsulated with IP68 Connections
- High Reliability
- 3 or 5 Years warranty

Applications

- Building facade, outline
- Cove lighting
- Billboard & Advertising
- Linear lighting
- Architectural Integration
- Wayfinding
- Outdoor Landscaping



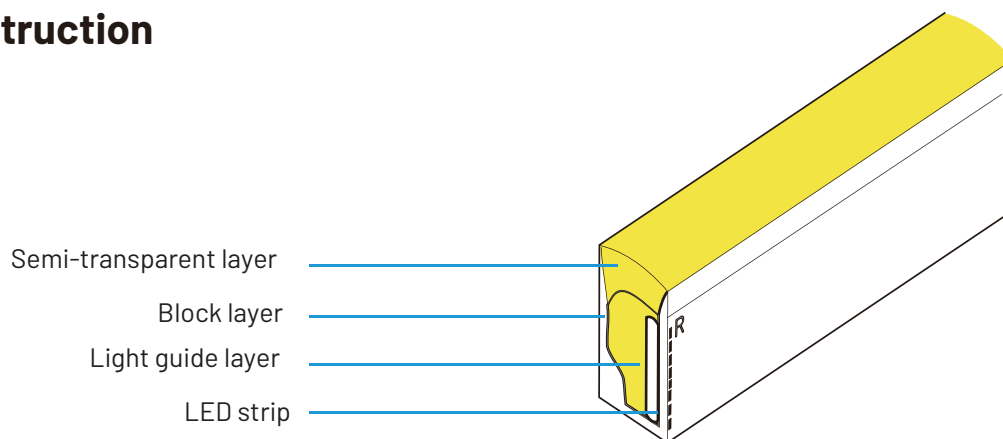
-  Class 2
-  One Bin Only
-  IP68
-  LM-80
-  UV Protected
-  Corrosion Resistant
-  CE
-  UL LISTED
-  RoHS
-  IK08
-  Dirt Resistant
-  Saltwater Resistant

| | | | |
|--------------------------|--------------|-------------------------|-------------------------------------|
| VOLTAGE | 24V | MAX LENGTH | 10M (SINGLE FEED) 20M (DOUBLE FEED) |
| POWER CONSUMPTION | 5W/PM | LIFE SPAN | 50 - 70,000 HRS |
| LUMEN OUTPUT | 110-130LM/PM | IP RATING | IP68 SUBMERSIBLE UP TO 2M |
| LED QUANTITY | 70 LED/PM | HOUSING MATERIAL | ECO PVC |
| CUT UNIT | 100MM | OPERATING TEMP | -25 C to +55 C |
| BEAM ANGLE | 120 DEGREE | WARRANTY | 3 YEARS STANDARD, 5 YEAR OPTION |

ORDERING INFORMATION

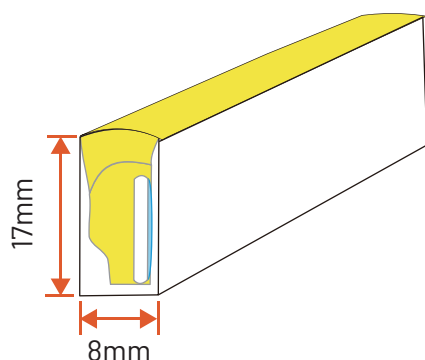
| | | | |
|------------------|--------|--------|--------|
| ITEM CODE | F09-CW | F09-4K | F09-WW |
| COLOUR | 5500K | 4000K | 3000K |

Construction

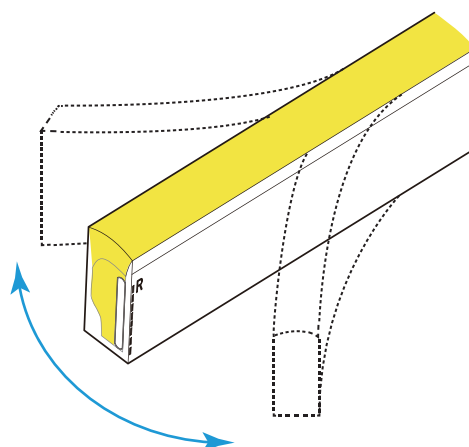


Physical Specification

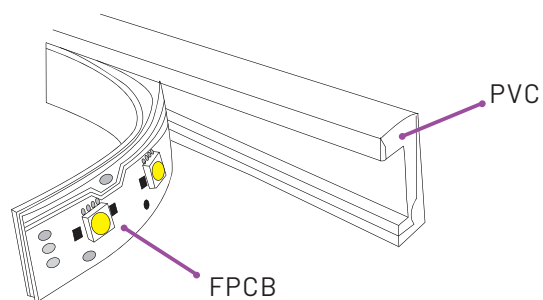
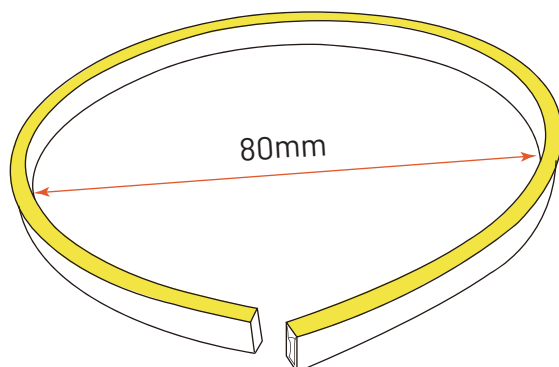
Light profile



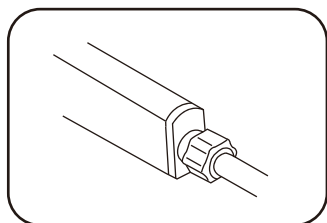
Bending direction



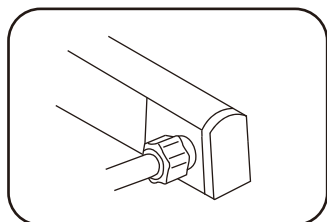
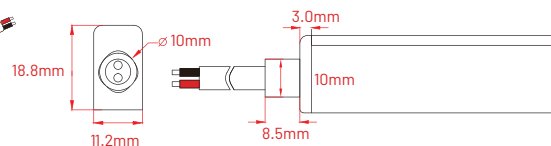
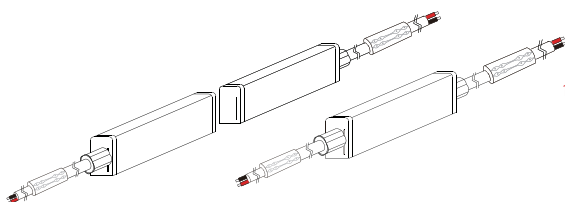
Min. bending diameter



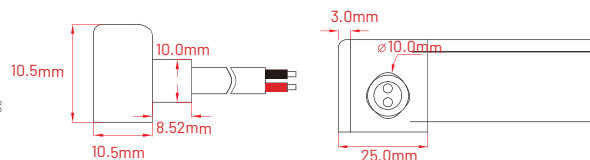
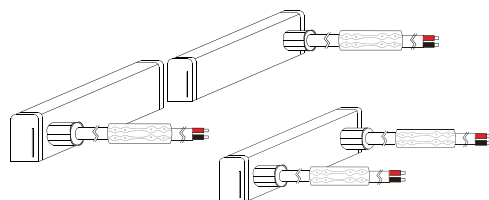
Injection Moulded Connector (IP68 Factory Assembly Only)



Direct Connector

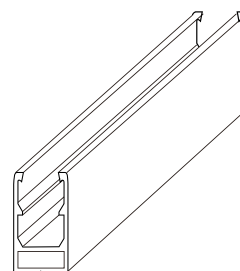
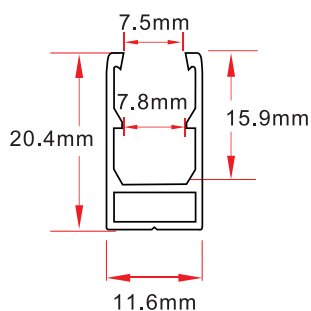


Side Connector



Mounting Channel

Use for : F09 Slimline Neon
 Length : 2m
 Material: White Aluminum alloy



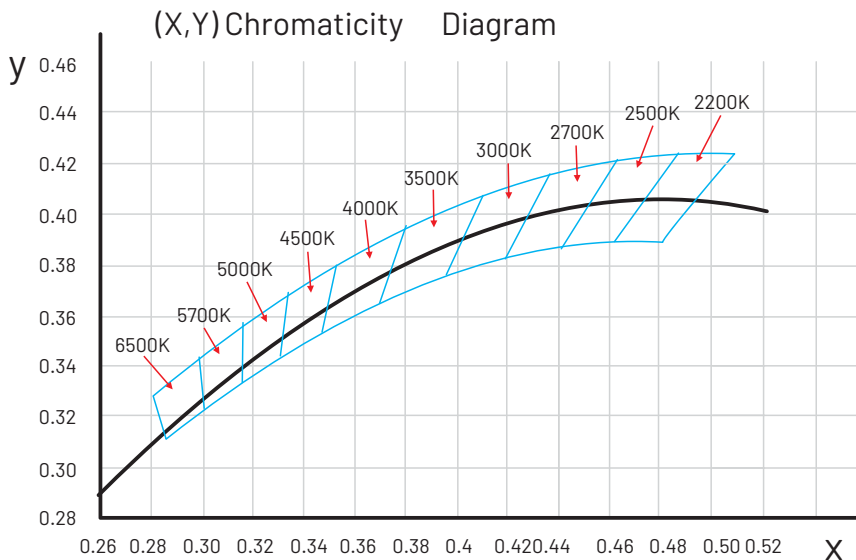
Testing

ANSI Standard

Nominal CCT Categories (2200-6500K)

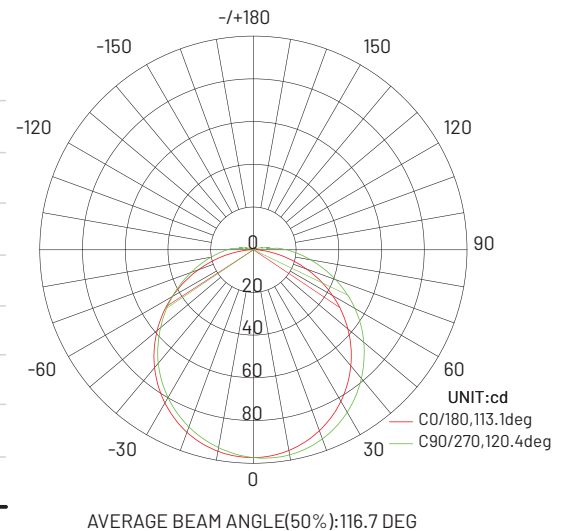
| Nominal CCT | Target CCT & tolerance(K) | Target D _{uv} | D _{uv} Tolerance Range |
|--------------|---|--|---|
| 2200K | 2238±102 | 0.0000 | Tx: CCT of the source for Tx<2870K 0.000±0.0060 For Tx≥2870K D _{uv} (Tx)±0.0060 where $D_{uv}(Tx) = 57700 \times (1/Tx)^2 - 44.6 \times (1/Tx) + 0.00854$ Remark: 1) T _F is chosen to be at 100K steps (2300,2400.....6400K) the ten nominal CCTs listed in table 1. 2) $\Delta T = 1.1900 \times 10^9 \times T^3 - 1.5434 \times 10^4 \times T^2 + 0.71648 \times T - 902.55$ 3) Same as in the DUV tolerance range |
| 2500K | 2460±120 | 0.0000 | |
| 2700K | 2725±145 | 0.0000 | |
| 3000K | 3045±175 | 0.0001 | |
| 3500K | 3465±245 | 0.0005 | |
| 4000K | 3985±275 | 0.0010 | |
| 4500K | 4503±243 | 0.0015 | |
| 5000K | 5029±283 | 0.0020 | |
| 5700K | 5667±355 | 0.0025 | |
| 6500K | 6532±510 | 0.0031 | |
| Flexible CCT | T _F ¹⁾ ± ΔT ²⁾ | D _{uv} T _F ³⁾ | |

White Colour Charts



Photometric

F09-WW 3000K



1. Please note that it is normal for the PVC material of LED Neon Flex to experience 20-30% yellowing when it is used in direct sunlight, has long term exposure to high temperatures or installed in a wet environment, within 3 years.

2. In Regard to the tolerance range of the optical parameters (luminance, CCT, Wattage, RA) for all LED Neon Flex products, there is a 10% fluctuation when referring to the IEC Standard.

3. Please note there is a tolerance range for cut lengths of LED Neon Flex. This is due to production technology, environmental parameters, ambient temperatures and installation methods. The tolerance ranges are:
 0-5m = ± 7mm, 5-10m = ±15mm, 10-20m = ± 30mm.