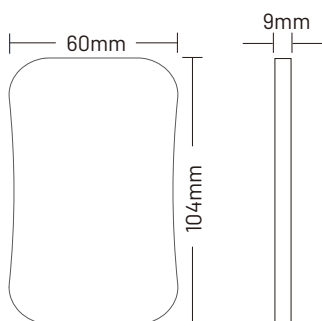


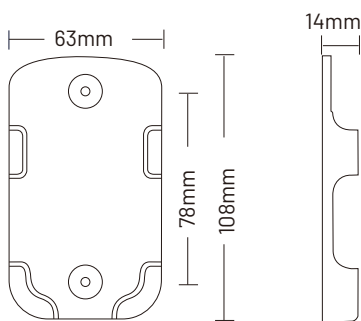


FC CE RoHS warranty 5 years UKAS

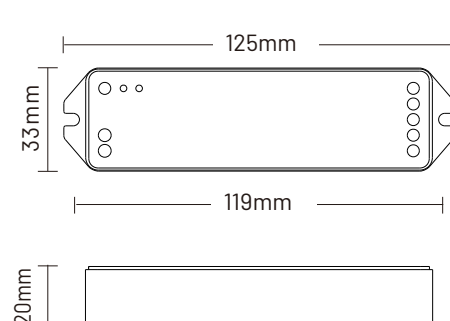
### Dimensions:



Remote



Remote Holder

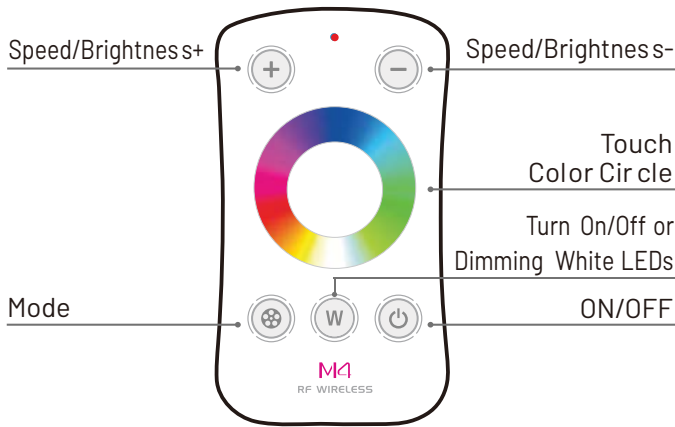


Receiver

<b>ITEM CODE</b>	FLXC-018
<b>VOLTAGE</b>	12-24V
<b>CURRENT LOAD</b>	3A - 4CH (max 12A)
<b>POWER OUTPUT</b>	12v-144w   24v - 288w
<b>OPERATING TEMP.</b>	-30°C ~ +55°C

<b>MODEL</b>	M4 RGBW Remote
<b>BATTERY</b>	3v (CR2032)
<b>WORKING FREQUENCY</b>	433.92MHz

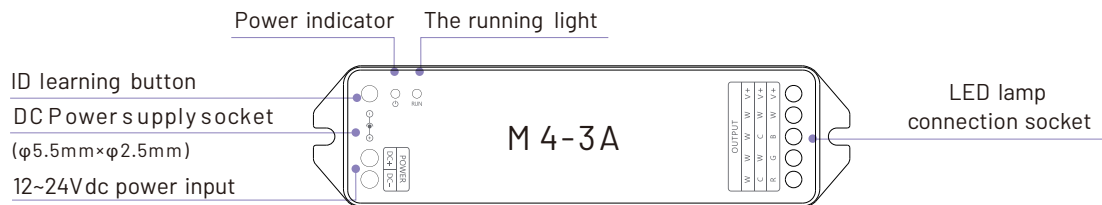
## Operating Instruction for Remote Control :



M4 Changing Mode Table

No.	Mode	No.	Mode
1	Static Red	7	Static White
2	Static Green	8	RGB Skipping
3	Static Blue	9	7 Colors Skipping
4	Static Yellow	10	RGB Color Smooth
5	Static Purple	11	Full-color Smooth
6	Static Cyan	12	Static Black

## Operating Instruction for Receiver :



## The Learning ID Method of Remote Control:

Remote control has been matched to the receiver before leave factory, if deleted accidentally, you can learn ID as follow.

**Learning ID:** Short press ID learning button on the receiver M4-3A, the running light is on, then press any key on the remote control M4, the running light flashes several times, activated.

**Cancel ID:** Long press ID learning button on the receiver for 5 seconds.

Attn: one receiver can be matched with max 10 same or different kinds remote.  
Receiver is no quantity limit when it match up with remote or gateway.

### Wiring Diagram:

