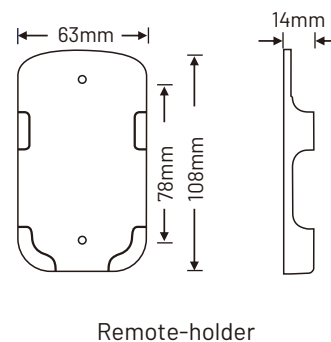
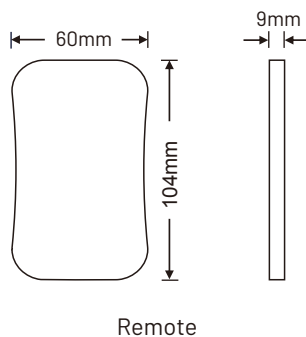
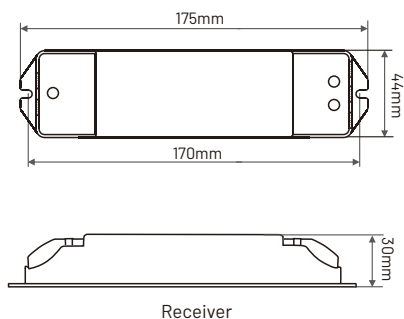




FC CE RoHS warranty 5 years UKAS

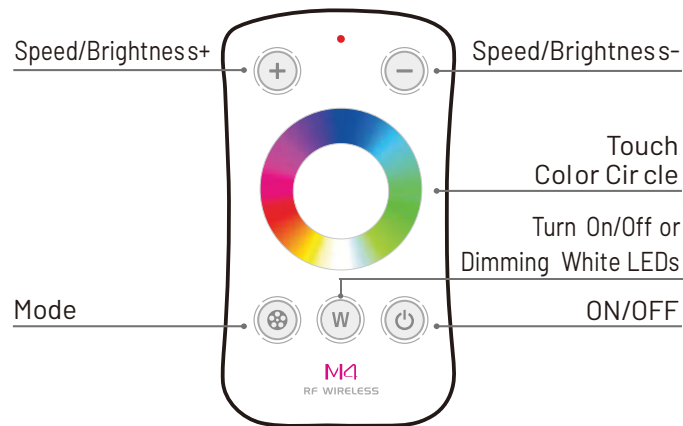
Dimensions:



ITEM CODE	FLXC-023
VOLTAGE	12-24V
CURRENT LOAD	5A - 4CH (max 20A)
POWER OUTPUT	12v-240w 24v - 480w
OPERATING TEMP.	-30°C ~ +55°C

MODEL	M4 RGBW Remote
BATTERY	3v (CR2032)
WORKING FREQUENCY	433.92MHz

Operating Instruction for Remote Control :



M4 Changing Mode Table

No.	Mode	Instrucion	No.	Mode	Instrucion
1	Static Red	Brightness Adjustable	7	Static White	Brightness Adjustable
2	Static Green	Brightness Adjustable	8	RGB Skipping	Speed/Brightness Adjustable
3	Static Blue	Brightness Adjustable	9	7 Colors Skipping	Speed/Brightness Adjustable
4	Static Yellow	Brightness Adjustable	10	RGB Color Smooth	Speed/Brightness Adjustable
5	Static Purple	Brightness Adjustable	11	Full-color Smooth	Speed/Brightness Adjustable
6	Static Cyan	Brightness Adjustable	12	Static Black	White light can be turn/off and adjusted

Operating Instruction for Receiver :



The Learning ID Method of Remote Control:

Remote control has been matched to the receiver before leave factory, if deleted accidentally, you can learn ID as follow.

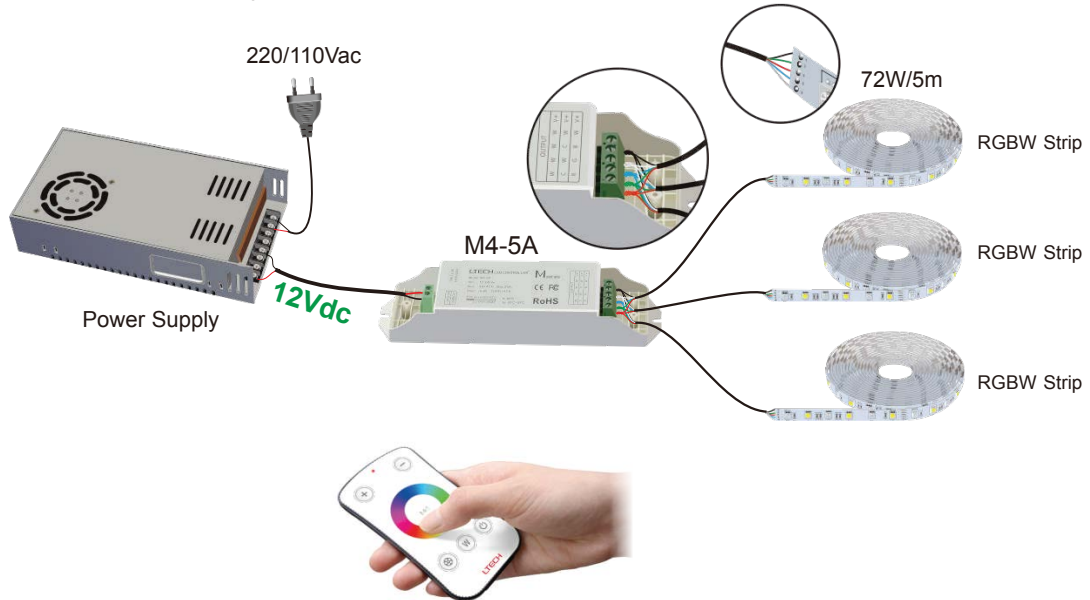
Learning ID: Short press ID learning button on the receiver M4-3A, the running light is on, then press any key on the remote control M4, the running light flashes several times, activated.

Cancel ID: Long press ID learning button on the receiver for 5 seconds.

Attn: one receiver can be matched with max 10 same or different kinds remote.
Receiver is no quantity limit when it match up with remote or gateway.

Wiring Diagram:

E.g. 1: Connected 12V lamp, loads 0~ 240W (5A×4CH×12V).



E.g. 2: Connected 24V lamp, loads 0~ 480W (5A×4CH×24V).

