



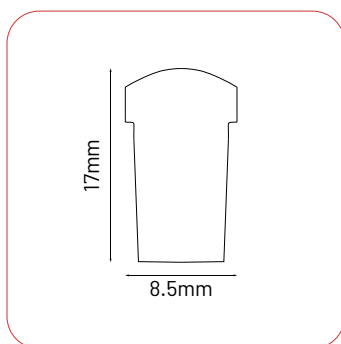
Features

- Ultra-Bright SMD LED
- Milky White PVC Jacket
- Low Heat, Low Power Consumption
- Extra Long Life
- Flexible
- Easy To Install

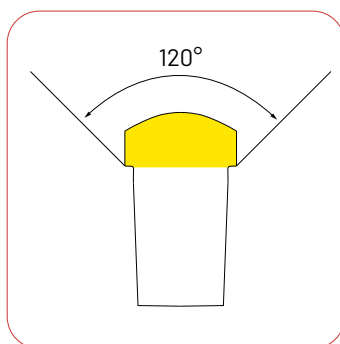
Applications

- Linear lighting
- Cove lighting
- Decorative lighting
- Signage

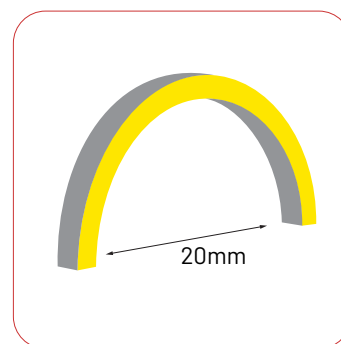
Dimensions



Beam Angle



Bend Radius



VOLTAGE	24V
POWER CONSUMPTION	7.2W/PM
LUMEN OUTPUT	320LM/PM
LED QUANTITY	60 LED/PM
CUT UNIT	88MM (125MM RED & ORANGE)
BEAM ANGLE	120 DEGREE

MAX LENGTH	10M
LIFE SPAN	50 - 70,000 HRS
IP RATING	IP65
HOUSING MATERIAL	ECO PVC
OPERATING TEMP	-25 C to +55 C
WARRANTY	1 YEAR STANDARD

ORDERING INFORMATION

ITEM CODE	FLXNF-010	FLXNF-011	FLXNF-012	FLXNF-013	FLXNF-014	FLXNF-015	FLXNF-016	FLXNF-017	FLXNF-018
COLOUR	5500K	3000K	BLUE	GREEN	RED	PINK	YELLOW	AMBER	ORANGE

Connectors

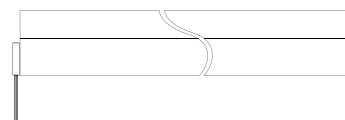
Single Sided Power (Outdoor)



FLXNF-022

Power Cord : Pin + End Cap + Heat Shrink (Outdoor)

Single Sided Power (Indoor)



FLXNF-023

Wire Connector (Pair)

Mounting Channel

FLXNF-027

Use for : Ultra-Thin Neon
 Length : 2m
 Material: White Aluminum alloy

FLXNF-025

Use for : Ultra-Thin Neon
 Length : 50mm
 Material: Aluminum alloy

