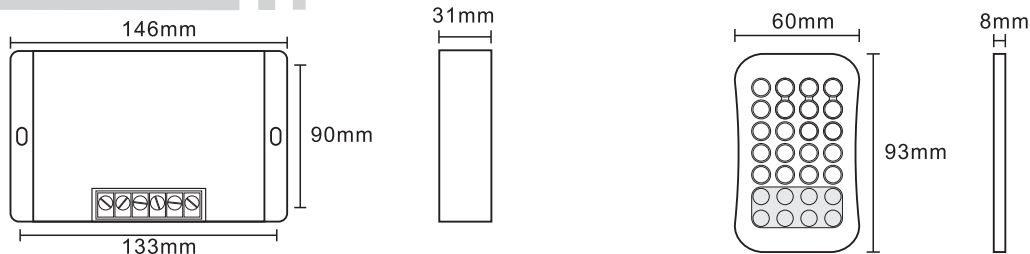




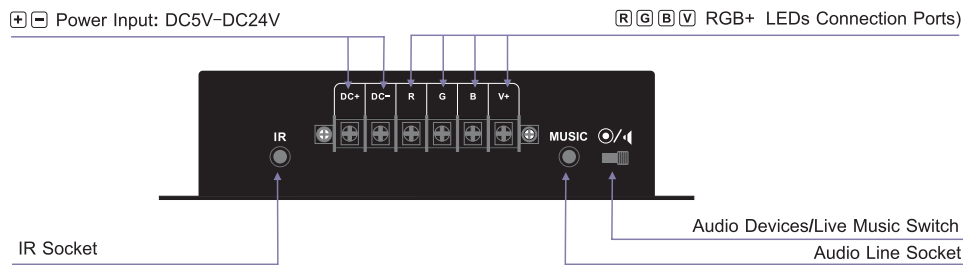
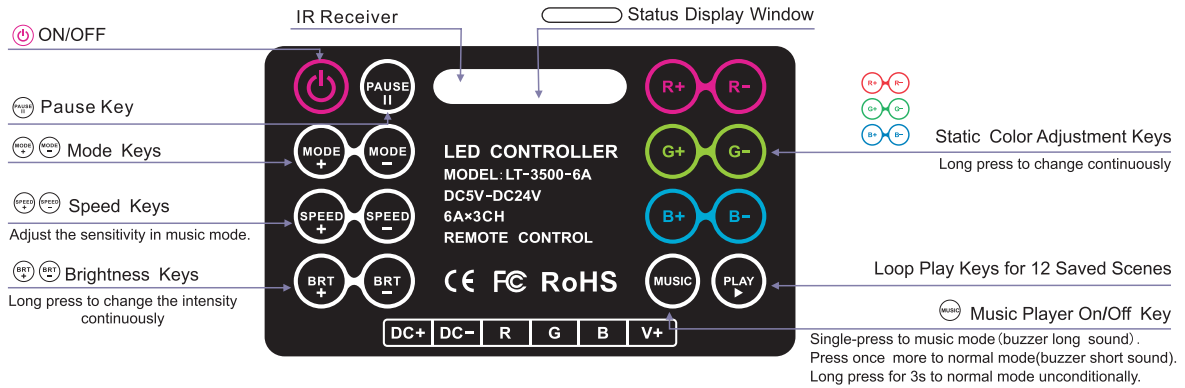
2. Product Dimension:



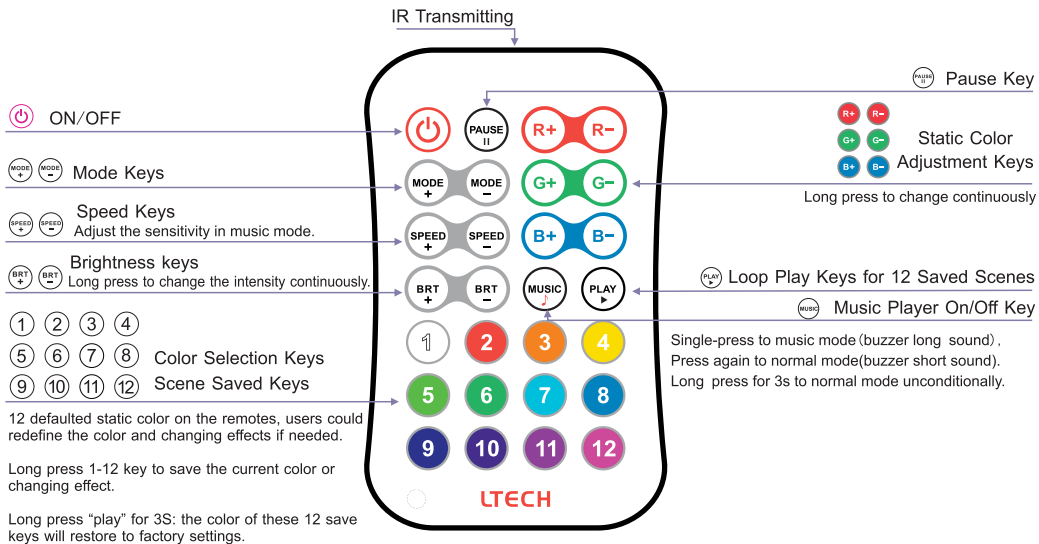
ITEM CODE	FLXC-005
VOLTAGE	5v-24V
CURRENT LOAD	6A - 3CH (max 18A)
POWER OUTPUT	15v - 90w 12v-216w 24v - 432w
OPERATING TEMP.	-30°C ~ +55°C

MODES	20 Functions
GREY SCALE LEVELS	4096 Steps Per RGB
WORKING FREQUENCY	20Hz-20KHz
REMOTE RANGE	30m
WEIGHT	525g

3. Operation Interface Instruction:



Controller Panel Instruction



Remote Control Instruction

Other Functions :

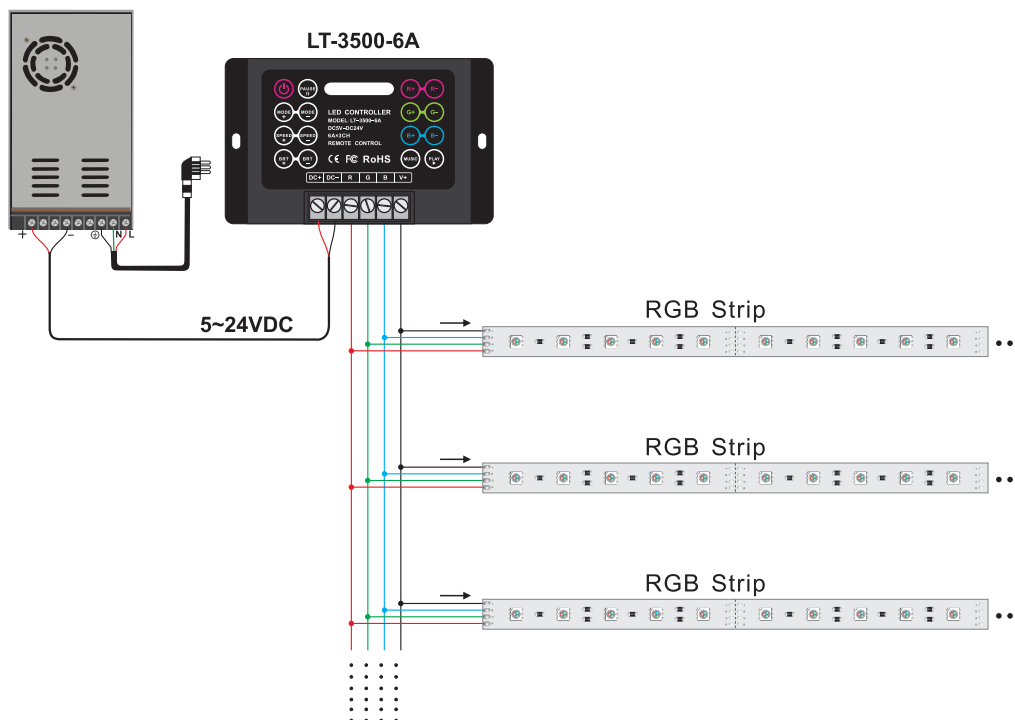
1. Long press "PLAY" key for 3S : restore to factory setting color of 12 save keys.
2. Long press "PAUSE" for 3S: turn on/off the buzzer(or the sound of key).
3. Long press "ON/OFF" for 3S: restore to factory settings, excluding parameters set of save keys.
4. "SPEED+" and "SPEED-" can be used to adjust sensitivity in music mode.

4. Tables of Changing Mode

NO.	Display	Description	NO.	Display	Description
1	Red	Brightness Adjustable	11	Green strobe	Brightness/Speed Adjustable
2	Green	Brightness Adjustable	12	Blue strobe	Brightness/Speed Adjustable
3	Blue	Brightness Adjustable	13	Yellow strobe	Brightness/Speed Adjustable
4	Yellow	Brightness Adjustable	14	Purple strobe	Brightness/Speed Adjustable
5	Purple	Brightness Adjustable	15	Cyan strobe	Brightness/Speed Adjustable
6	Cyan	Brightness Adjustable	16	White strobe	Brightness/Speed Adjustable
7	White	Brightness Adjustable	17	RGB Strobe	Brightness/Speed Adjustable
8	RGB Skipping	Brightness/Speed Adjustable	18	7 colors Strobe	Brightness/Speed Adjustable
9	7 Color Skipping	Brightness/Speed Adjustable	19	RGB smooth	Brightness/Speed Adjustable
10	Red Strobe	Brightness/Speed Adjustable	20	7 colors smooth	Brightness/Speed Adjustable

Attn: to adjust the sensitivity with "speed" keys in music mode.

5. Wiring Diagram:



[Notes] : Power repeater can be added if connect to more LED, please refer to the manual of power repeater for the specific connection method.