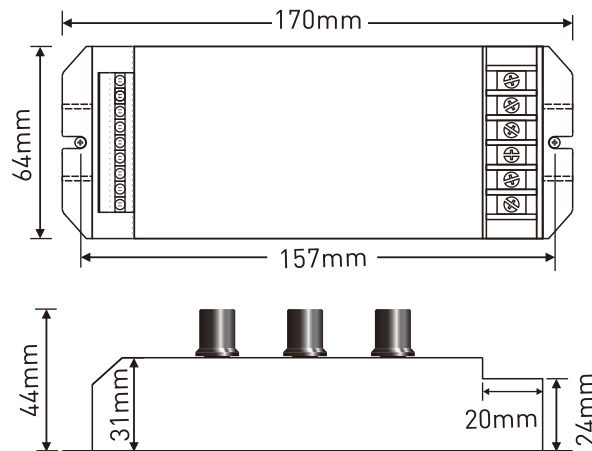




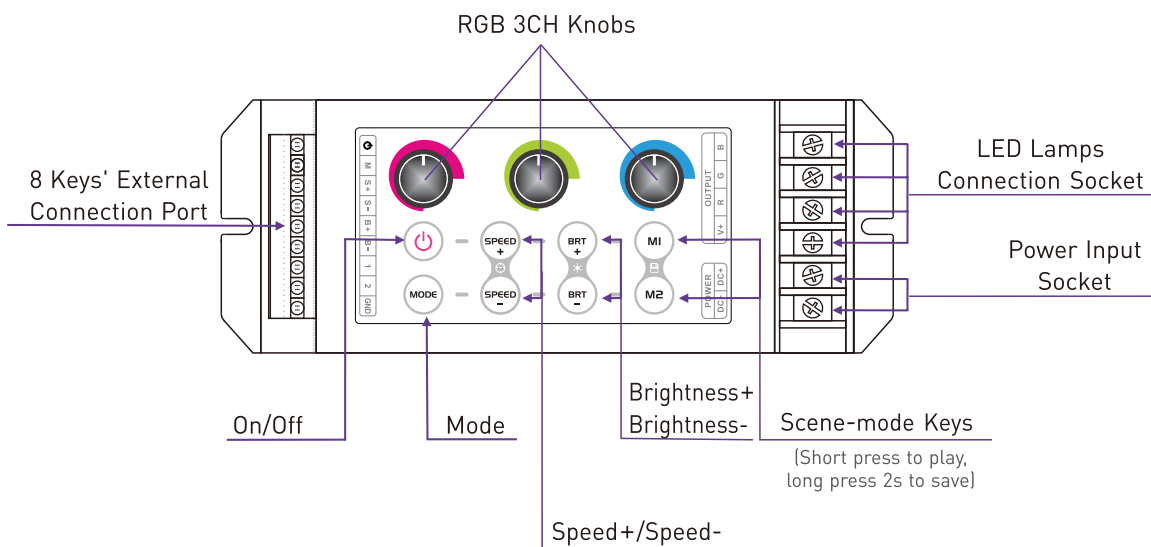
FC CE RoHS (warranty 5 years) UKAS

<b>ITEM CODE</b>	FLXC-004
<b>VOLTAGE</b>	5-24V
<b>CURRENT LOAD</b>	8A - 3CH (max 24A)
<b>POWER OUTPUT</b>	5v- 120   12v-288w   24v - 576w
<b>OPERATING TEMP.</b>	-30°C ~ +55°C

## 2. Product Size:



## 3. Detailed Key Functions:



### 3.1 Knob's Other Function:

In knob controlling mode, "BRT + / -" is also available to adjust the overall brightness.

### 3.2 Keys' Other Functions:

- A. Long press **On/Off**, the buzzer can be on or off.
- B. Long press **MODE** to auto loop play the 25 modes.
- C. Long press **SPEED+**, the speed of all modes will restore to default status;  
Long press **SPEED-**, the speed of the current mode will restore to default status.

## 4. Function Mode:

No.	Mode	No.	Mode
1	RGB Jumping	14	Red/Blue Color Smooth
2	7 Color Jumping	15	Green/Blue Color Smooth
3	White Strobe	16	Red/Yellow Color Smooth
4	7 Color Strobe	17	Green/Cyan Color Smooth
5	Red Fade out and Fade in	18	Blue/Purple Color Smooth
6	Green Fade out and Fade in	19	Green/Yellow Color Smooth
7	Blue Fade out and Fade in	20	Blue/Cyan Color Smooth
8	Yellow Fade out and Fade in	21	Red/Purple Color Smooth
9	Purple Fade out and Fade in	22	Blue/White Color Smooth
10	Cyan Fade out and Fade in	23	Yellow/Purple/Cyan Color Smooth
11	White Fade out and Fade in	24	RGB Color Smooth
12	RGB Fade out and Fade in	25	7 Color Smooth
13	Red/Green Color Smooth		

**Note:** Speed and brightness are adjustable.

## 5. Wiring Diagram:

