



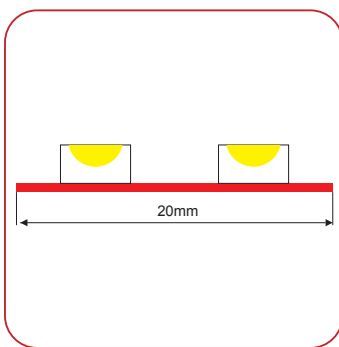
Features

- 4 Oz PCB
- CRI 80 LEDs
- 3 Year Warranty
- > 3% Optical Decay
- Energy Efficient

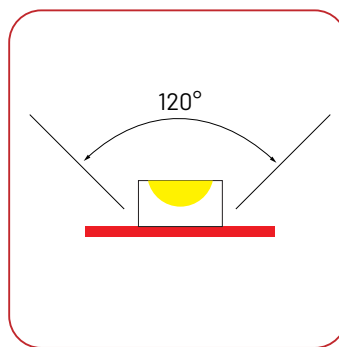
Applications

- Linear lighting
- Cove lighting
- Wayfinding
- Custom Applications
- All Types of Joinery

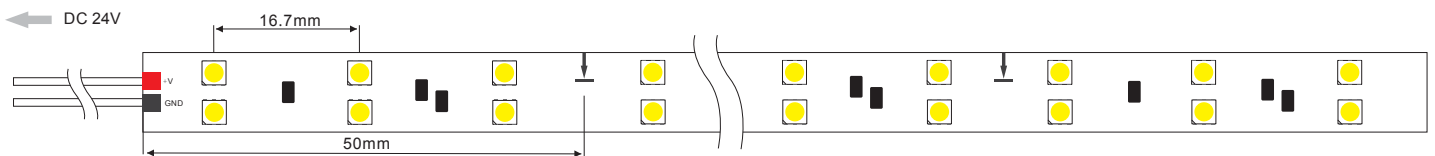
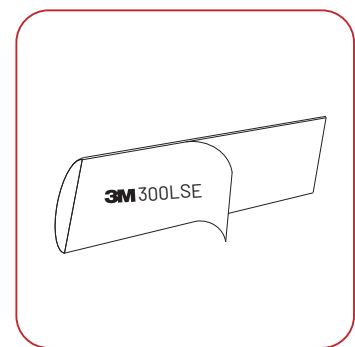
Dimensions



Beam Angle



Double Sided Tape



VOLTAGE	24v
POWER CONSUMPTION	30w/pm
LUMEN OUTPUT	2120lm/pm
LED QUANTITY	120LED/pm
WIDTH	20mm

MAX LENGTH	10M (SINGLE FEED)
LIFE SPAN	50,000 HRS
OPERATING TEMP	-20°C~+45°C
IP RATING	IP20
WARRANTY	3 Years

ORDERING INFORMATION

ITEM CODE	FLXST-020	FLXST-021
COLOUR	3000K	5500K