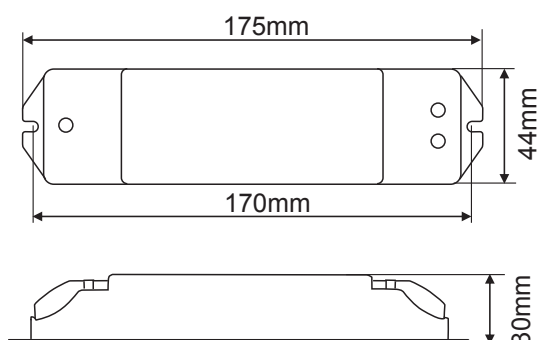


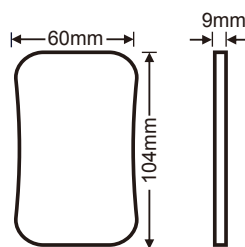


FC
CE
RoHS
Warranty 5 years
UKAS

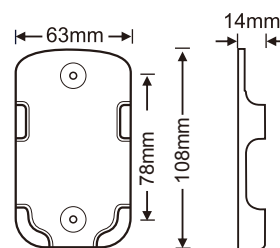
Product Size:



Receiver



RF remote



Remote holder

ITEM CODE	FLXC-003
VOLTAGE	12-24V
CURRENT LOAD	5A - 4CH (max 20A)
POWER OUTPUT	12v-240w 24v - 480w
OPERATING TEMP.	-30°C ~ +55°C

MODEL	M6 RGB Remote
BATTERY	3v (CR2032)
WORKING FREQUENCY	433.92MHz
REMOTE RANGE	30m
WEIGHT	42g

4. The Learning ID Method of Remote Control:

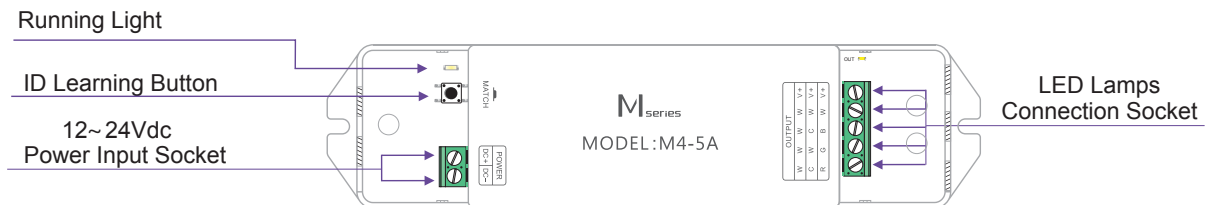
Remote control has been matched with the receiver before leaving factory, if deleted accidentally, you can learn ID as follow.

Learning ID: Short press ID learning button on the M4-5A receiver, the running light is on, then press any key on the M3/M6/M7 remote control, the running light flashes several times, activated.

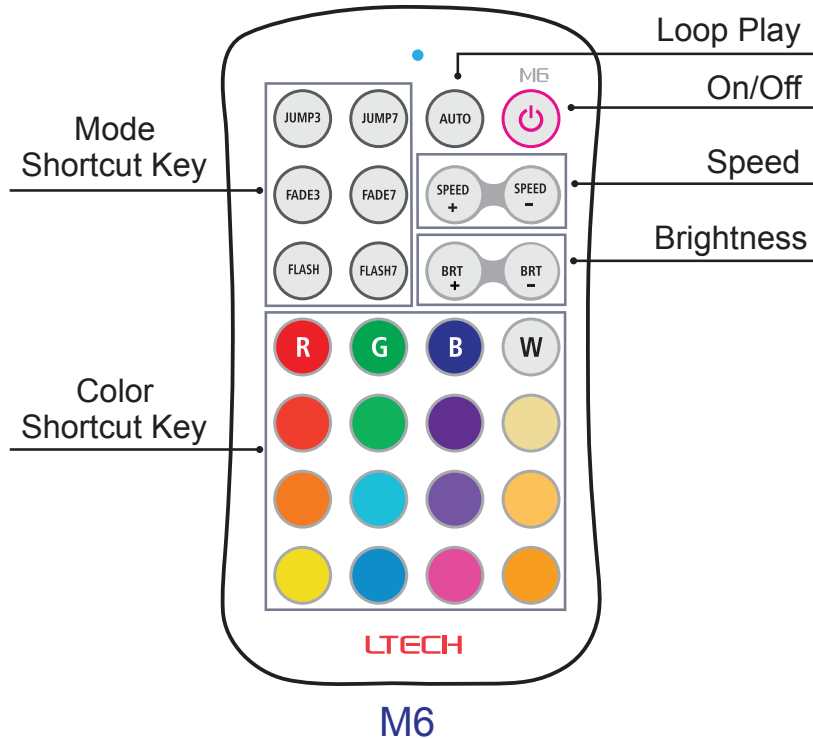
Cancel ID: Long press ID learning button on the M4-5A receiver for 5 seconds.

Attn: One receiver can be matched with max 10 same or different kinds remote control.

5. Operating Instruction for Receiver :



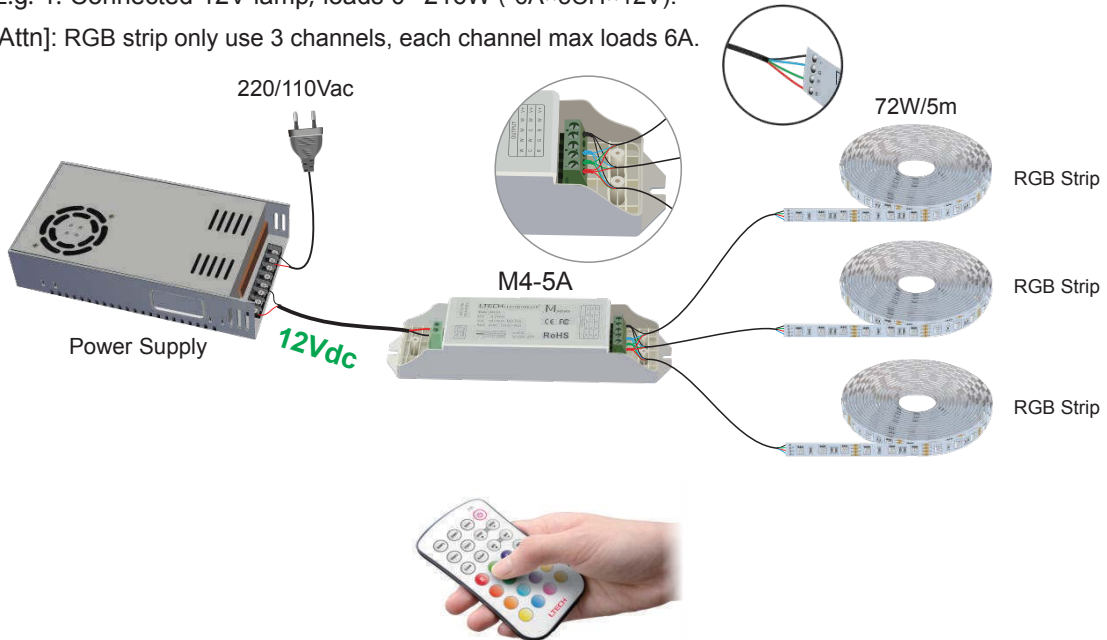
6. Operating Instruction for Remote Control :



7. Wiring Diagram:

E.g. 1: Connected 12V lamp, loads 0~216W (6A×3CH×12V).

[Attn]: RGB strip only use 3 channels, each channel max loads 6A.



E.g. 2: Connected 24V lamp, loads 0~432W (6A×3CH×24V).

[Attn]: RGB strip only use 3 channels, each channel max loads 6A.

