



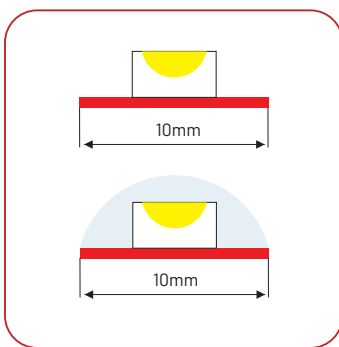
Features

- 4 Oz PCB
- CRI 80 LEDs
- 3 Year Warranty
- > 3% Optical Decay
- Energy Efficient

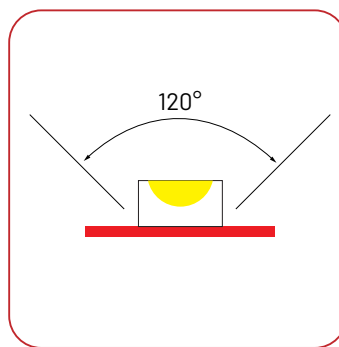
Applications

- Linear lighting
- Cove lighting
- Wayfinding
- Custom Applications
- All Types of Joinery

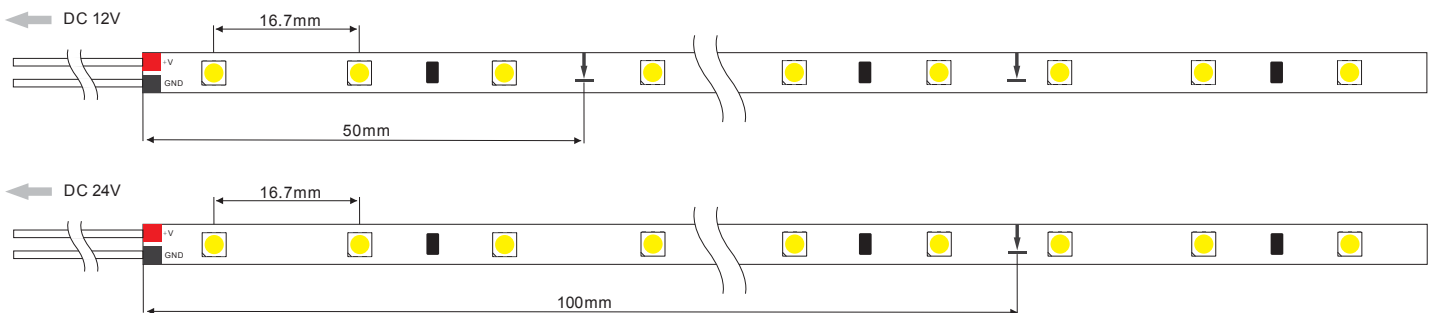
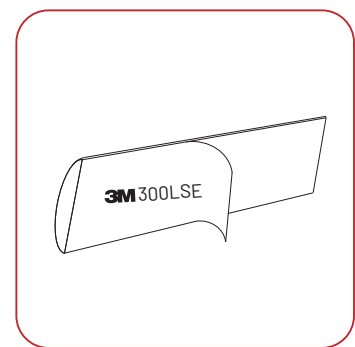
Dimensions



Beam Angle



Double Sided Tape



VOLTAGE	12 or 24v	MAX LENGTH	10M (SINGLE FEED)
POWER CONSUMPTION	15w/pm	LIFE SPAN	50,000 HRS
LUMEN OUTPUT	1200lm/pm	OPERATING TEMP	-20°C~+45°C
LED QUANTITY	60LED/pm	IP RATING	IP20 or IP65
WIDTH	10mm	WARRANTY	3 Years

ORDERING INFORMATION

ITEM CODE	FLXST-028	FLXST-006	FLXST-007	FLXST-032	FLXST-018
VOLTAGE	12V	12V	12V	24V	24V
COLOUR	3000K	5500K	3000K	3000K	5500K
IP RATING	IP20	IP20	IP65	IP20	IP20