

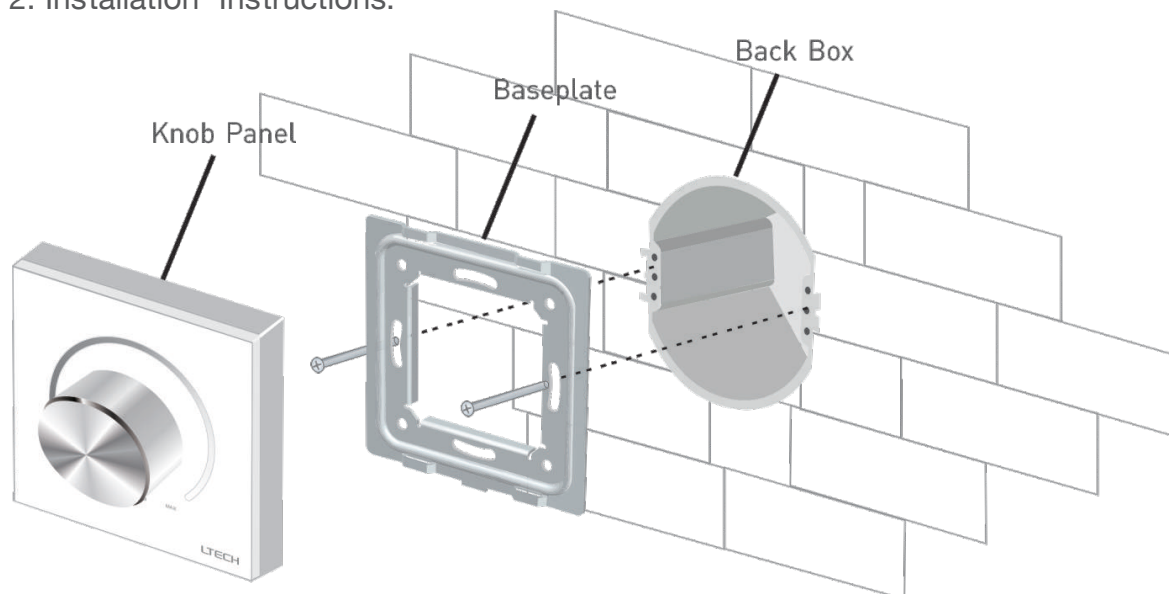


FC CE RoHS (warranty 5 years)

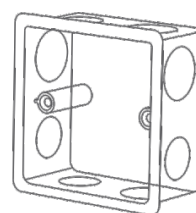
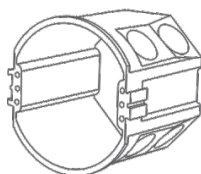


ITEM CODE	FLXC-012
OUTPUT	1-10v
CURRENT CONTROL	Max. 50mA
SWITCHING CURRENT	Max. 5A
OPERATING TEMP.	-10°C ~ +35°C

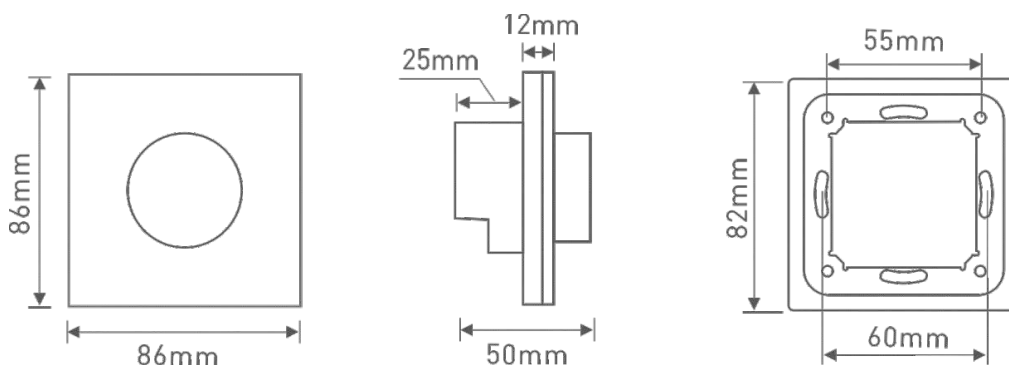
2. Installation Instructions:



Typical back box as follow:



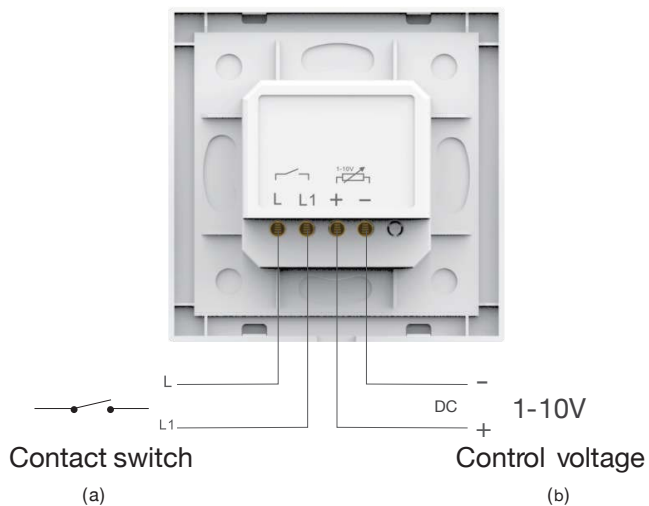
3. Product Size:



4. Knob Function:

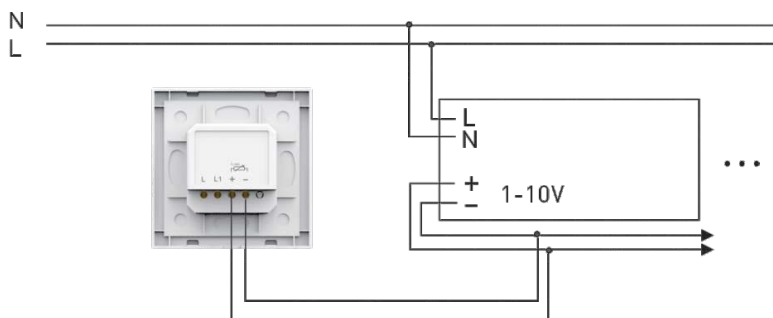


5. Terminals:

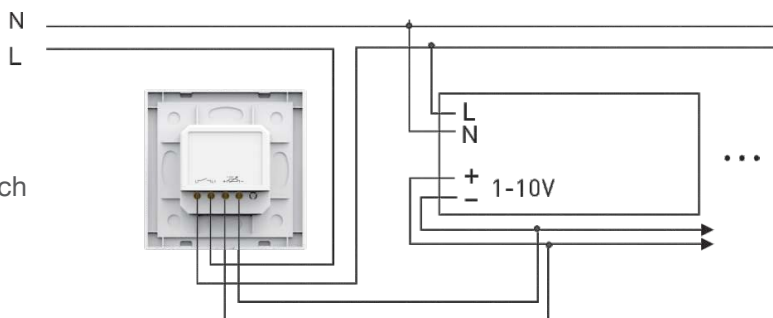


6. Wiring Diagram:

6.1 Dimming



6.2 Built-in power switch



6.3 External relay connection

